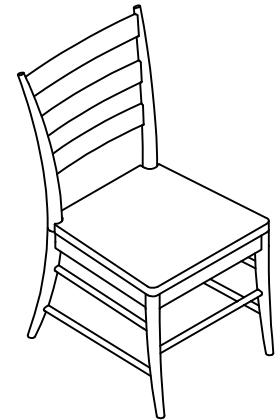


Warning :

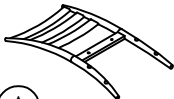

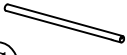
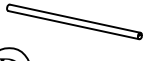





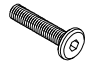



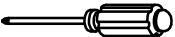
- Be sure to check all packing material carefully for small parts, which may have come loose inside the carton during shipment.
- To prevent possible scratches and damage, this furniture must be assembled on a soft surface such as a blanket or carpet.



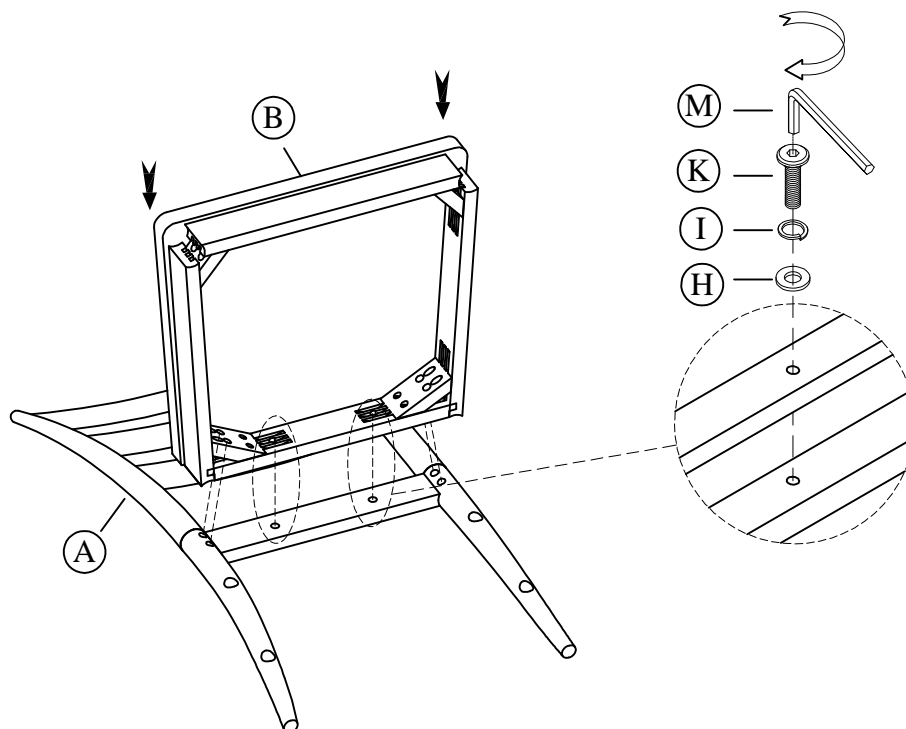
37557

Wood Back Rush Side Chair 2in

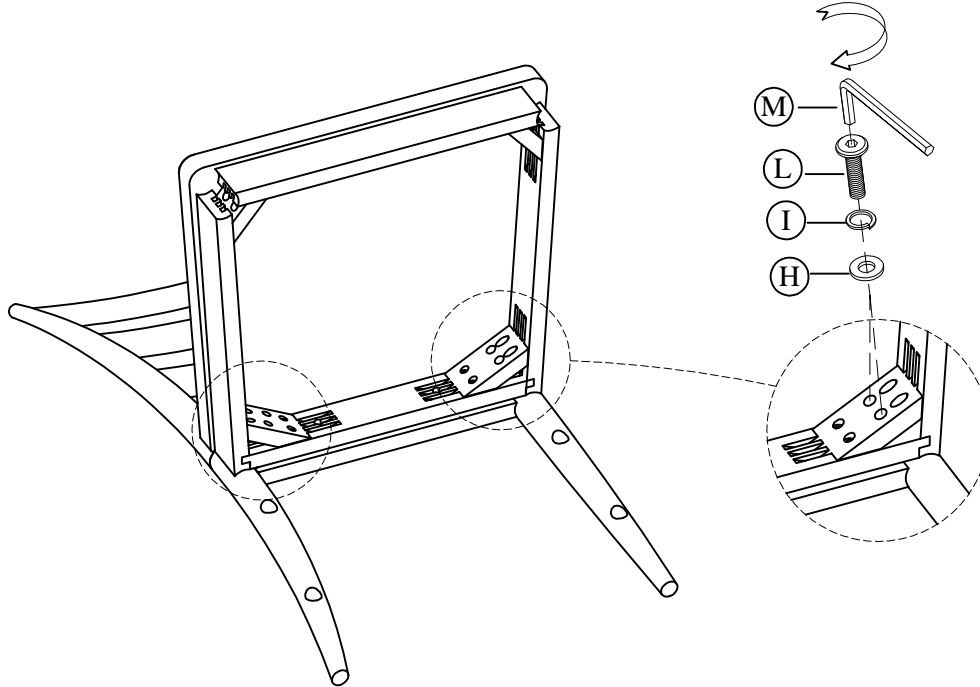
Components and Hardware List

<p>Chair Back</p>  <p>A 1 pc.</p>	<p>Seat Frame</p>  <p>B 1 pc.</p>	<p>Side Stretcher (Top) and Front Stretcher (L) 17" x 3/4"</p>  <p>C 3 pcs.</p>	<p>Side Stretcher (Bottom) (L) 18-1/2" x 3/4"</p>  <p>D 2 pcs.</p>	<p>Front Leg (Left)</p>  <p>E 1 pc.</p>		
<p>Front Leg (Right)</p>  <p>F 1 pc.</p>	<p>Flat Washer 5/16" x 19*2mm</p>  <p>H 10 pcs.</p>	<p>Spring Washer 5/16"</p>  <p>I 10 pcs.</p>	<p>Allen Head Bolt 5/16"x 18x2- 1/4"</p>  <p>J 4 pcs.</p>	<p>Allen Head Bolt 5/16"x 18x1- 3/4"</p>  <p>K 2 pcs.</p>	<p>Allen Head Bolt 5/16"x 18x3- 1/4"</p>  <p>L 4 pcs.</p>	<p>5mm Allen Key</p>  <p>M 1 pc.</p>
<p>#8x1" Screw</p>  <p>N 10 pcs.</p>	<p>Screw Driver not included</p> 					

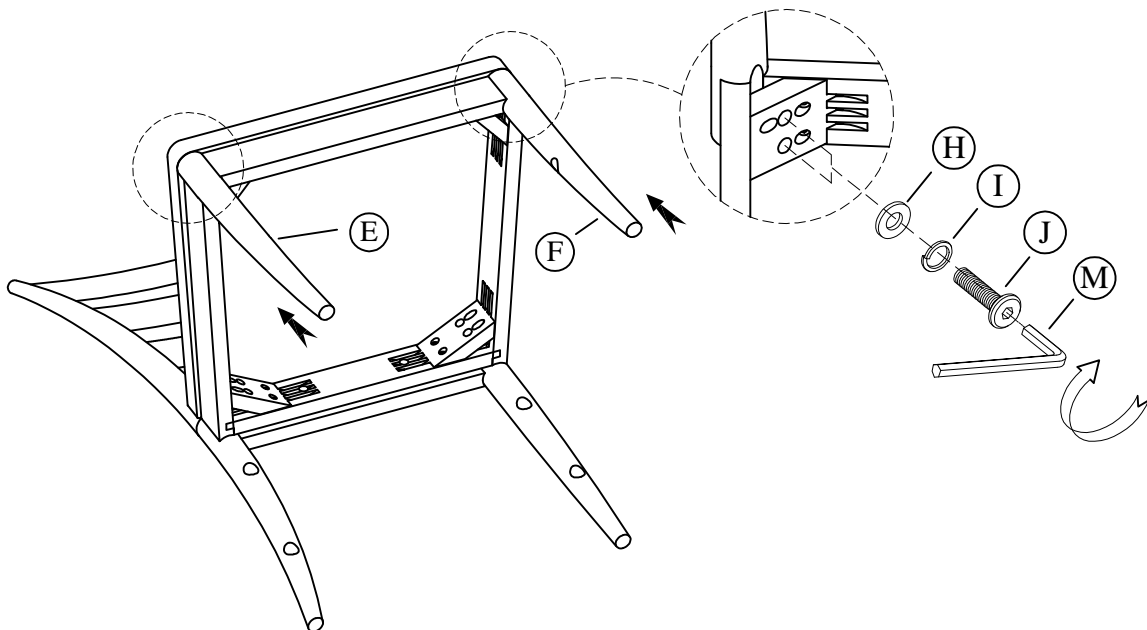
STEP 1: Do not fully tighten the bolts.



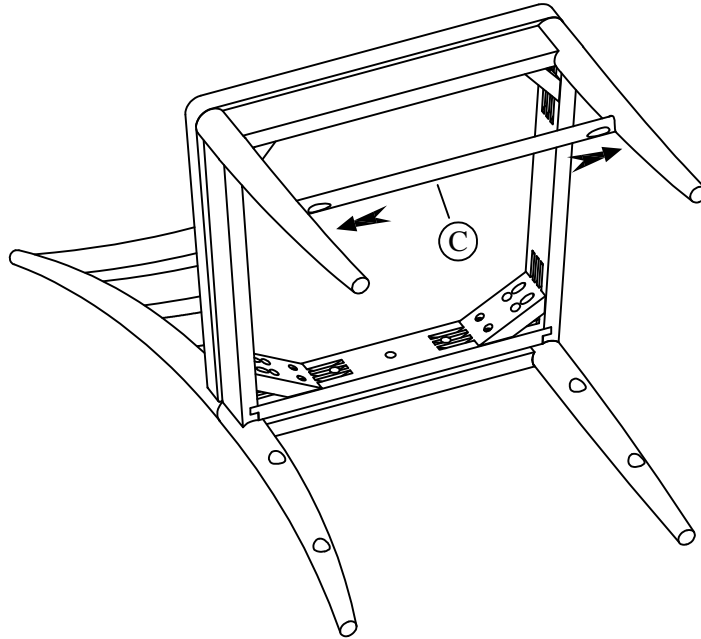
STEP 2: Do not fully tighten the bolts.



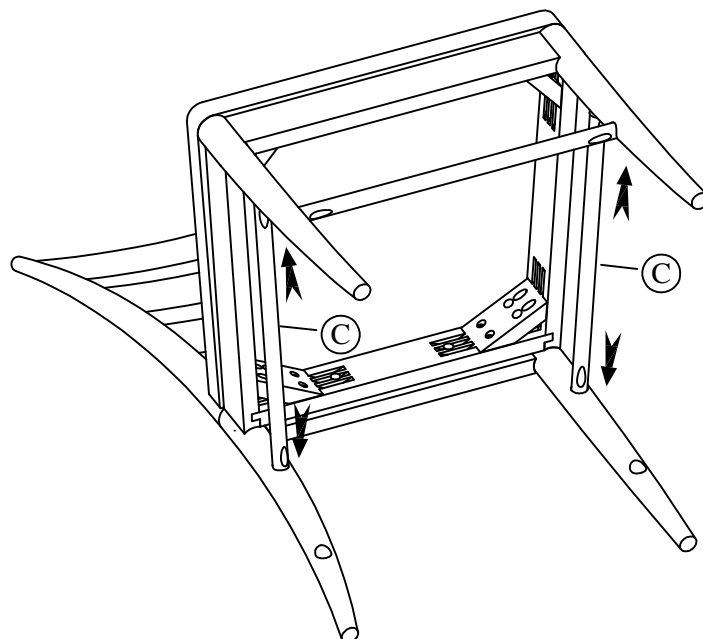
STEP 3: Do not fully tighten the bolts.



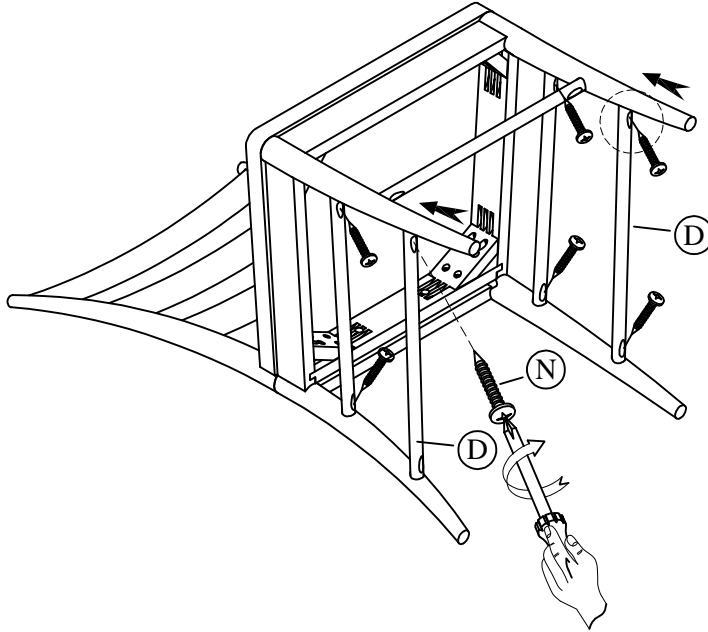
STEP 4: Attach Front Stretcher, no need to attach Screws.



STEP 5: Attach Side Stretcher (Top), no need to attach Screws.



STEP 6: Using the Allen key and a Phillips head screw driver, tighten all bolts, then tighten all screws.



Complete

