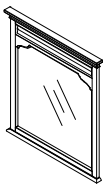




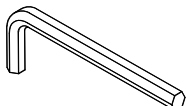
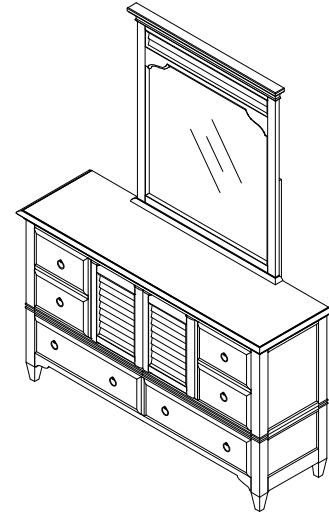


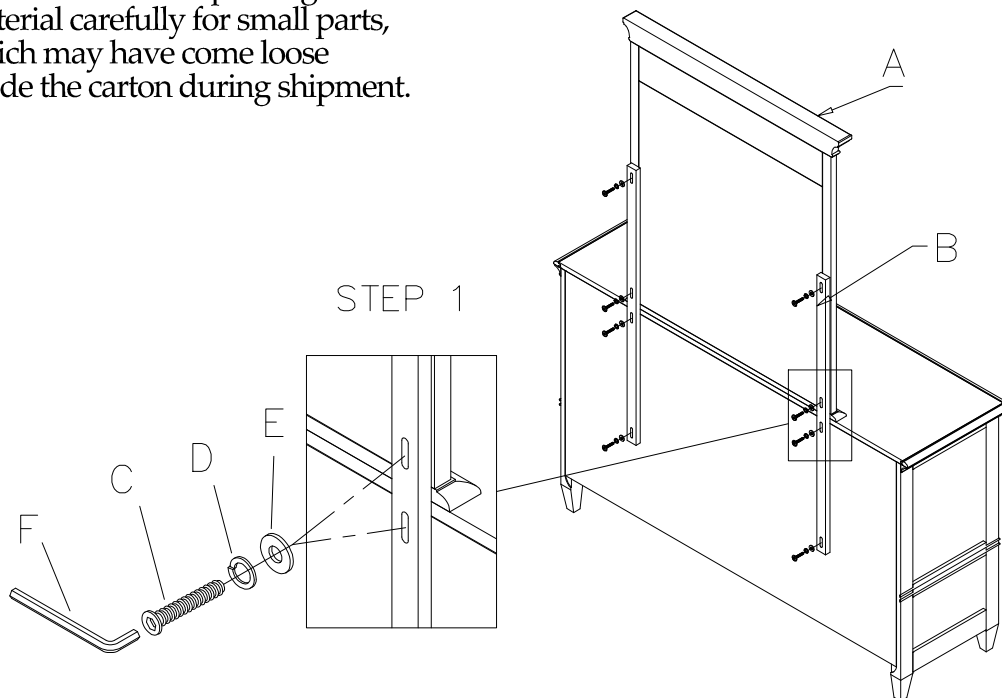
### Components and Hardware List

<p>Mirror Frame</p>  <p><b>(A)</b> 1 pc.</p>	<p>Support Bar</p>  <p><b>(B)</b> 2 pcs.</p>	<p>1/4"-20 x 1-1/2 Long Allen-Head Bolt</p>  <p><b>(C)</b> 8 pcs.</p>
<p>1/4" Spring Washer</p>  <p><b>(D)</b> 8 pcs.</p>	<p>1/4" x 19 x 2mm Flat Washer</p>  <p><b>(E)</b> 8 pcs.</p>	<p>4mm Allen Wrench</p>  <p><b>(F)</b> 1 pc.</p>



#59361 & 59461  
Landscape Mirror

Be sure to check all packing material carefully for small parts, which may have come loose inside the carton during shipment.



To prevent possible scratches and damage, this furniture must be assembled by two people on a soft surface such as a blanket or carpet.

- Step 1. Using two people, carefully move the Dresser to be a few inches from the wall, near where it will be used.
2. Attach the Support Bars (B) to the back of dresser with the Allen Head Bolts (C), Spring Washers (D) and Flat Washers (E) but do not fully tighten Bolts.
3. Place the Mirror onto the top back edge of the Dresser. Assemble the mirror to the Support Bars by using the same Bolts and Washers as in previous Step.
4. Tighten all Bolts using the Allen Wrench (F).
5. Carefully move the Dresser back to near the wall.